



## FEATURES

- › 90-264 VAC to 28 VDC
- › ON/OFF switch located directly on the power supply
- › Resettable circuit breaker
- › Compatible with 300, 450, 500, and 1000 series LRAD products
- › Heatsink regulates the power supply's temperature
- › LED Power-on indicator light
- › Rugged design for outdoor use

## PRODUCT DESCRIPTION

28V-PS	Kit, Power Supply, 28 VDC Out, 500 W, SS
--------	--

## INCLUDED PARTS

109692-00	Power Supply, AC In, 28 VDC Out, 500 W
101562-01	Power Cable, Ground-First, Straight Plug, 12 FT
109679-00	Cable, PS to LRAD DC Input, 10 FT

## 500 Watt External AC/DC Power Supply

The External Power Supply provides users greater flexibility in deploying LRAD products.

By accepting input voltages between 90 and 264 VAC, the External Power Supply accommodates the power systems of most nations.

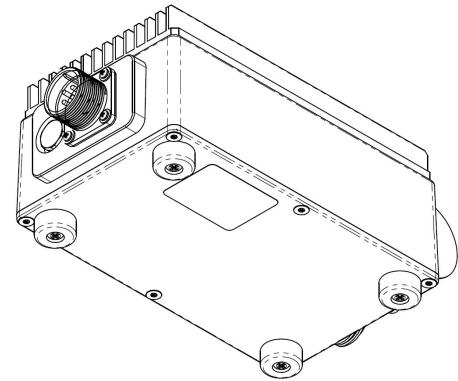
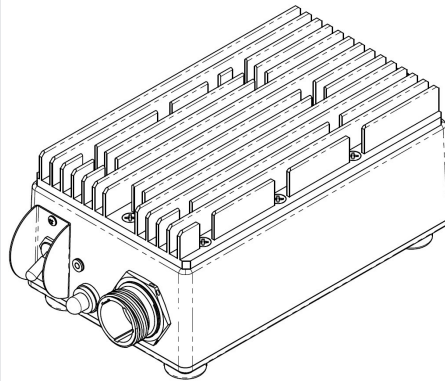
Built to withstand the elements, standard features include stainless steel connectors, a rugged weatherproof build designed to meet IP66, and a durable powder coat finish.

### MECHANICAL SPECIFICATIONS

Dimensions	7.9 in H x 4.7 in W x 3.8 in D (20 cm H x 12 cm W x 9.6 cm D)	
Weight	4.46 lbs (2.02 kg)	
Construction	Housing: Aluminum (Die-cast alloy)	Heatsink: 6063-T5 Aluminum
Finish	Powder coat, Gray	

### ELECTRICAL SPECIFICATIONS

Input	90-264 VAC	5.0 A	47-63 Hz
Output	28 VDC		
Power	500 W		



### Genasys - The Critical Communications Company

Genasys is a global provider of critical communications systems and solutions to help keep people safe. Genasys systems are in service in 72 countries and in more than 450 U.S. cities in diverse applications, including public safety, emergency warning, mass notification, critical event management, defense, law enforcement, homeland security and many more.

For more information, visit [genasys.com](http://genasys.com).